

ELECTRONIC TIMER FOR BATHROOM FAN

Model EFT

The Electronic Timer Module EFT is a small dependable device, which is very easy to install inside of the outlet box behind the existing switch using only a common flat screwdriver.

Basic Specifications: AC Voltage: 120 VAC; Maximum Load Current: 2.0 Amp.; Delay Time: 20 Minutes +/- 10% (for EFT-20)

- After flipping the Fan Switch to the ON position the Exhaust Fan will run for duration of time indicated by the Module EFT extension number.

- The Fan Switch can be turned OFF at any time, which will stop the Exhaust Fan immediately. Simply flip the Switch OFF and ON again to start a new operation cycle.

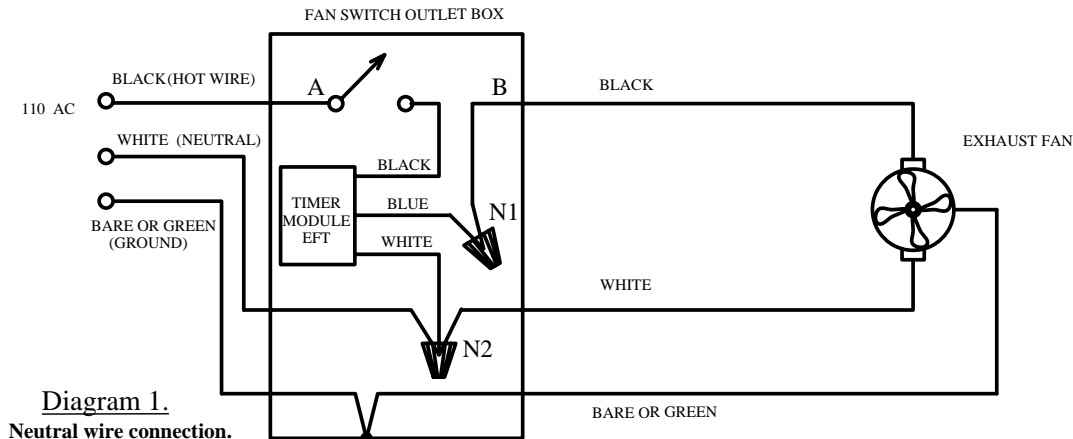
The EFT Timer Module is a contactless electronic device built with the high quality components.

Installation of the Timer.

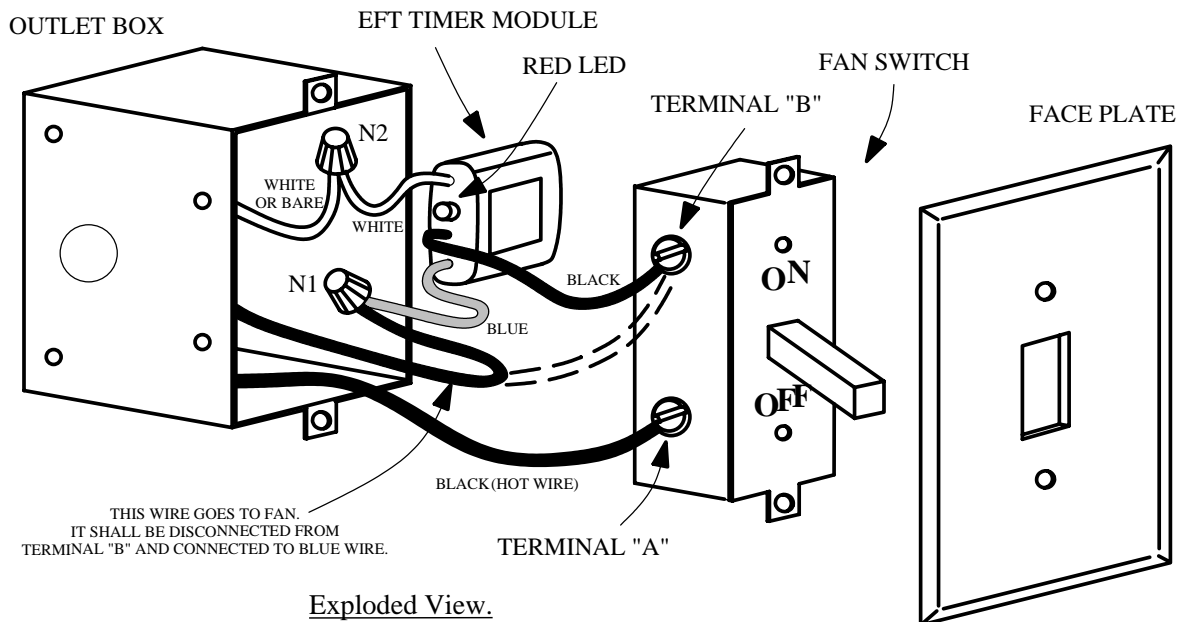
IMPORTANT - Disconnect power by turning OFF the circuit breaker.

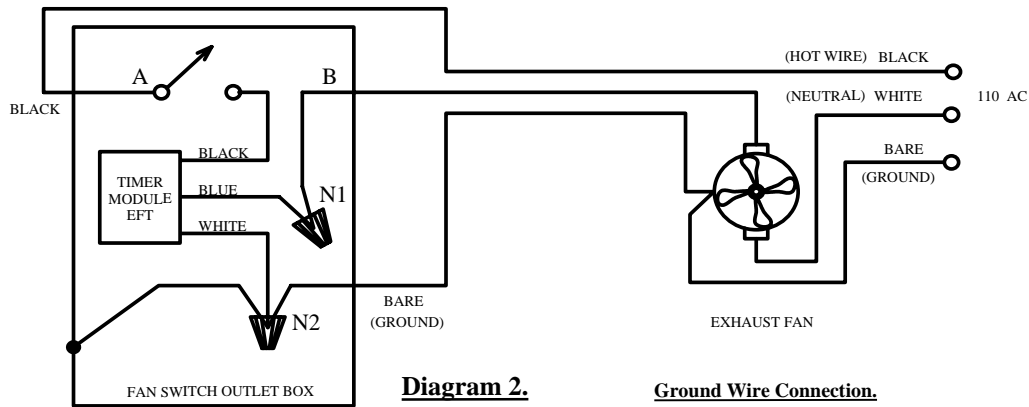
Remove cover plate from the Fan Switch. Pull out the switch and determine if the Neutral Wire is present in the box. If Yes, connect the EFT Module according to the Diagram 1 and Exploded View. If there is no Neutral Wire in the box follow instructions of the Diagram 2 and Exploded View.

If bringing of the Neutral or Ground wire inside the box is not feasible, the Module EFT can be installed at the Exhaust Fan location according to the Diagram 3.



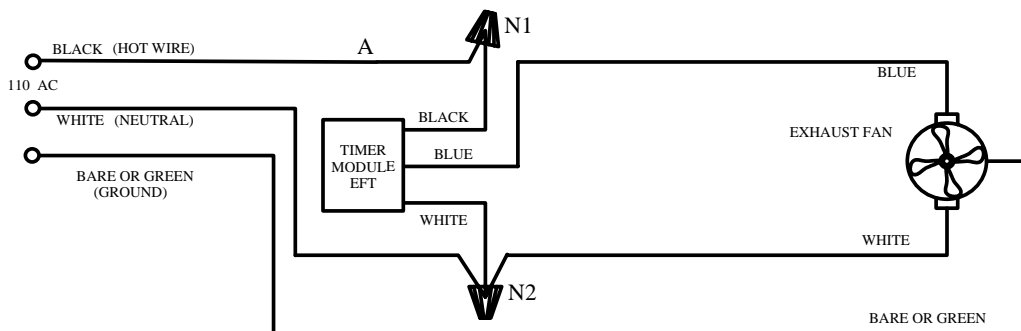
- 1) Make sure that the POWER IS TURNED OFF at the circuit breaker. Connect the WHITE wire of the EFT Module to the Neutral (white) wire present inside the box.
- 2) Flip the Fan Switch into "OFF" position and at the circuit breaker turn the power ON again.
- 3) Be careful NOT TO TOUCH THE EXPOSED CONTACTS OF THE SWITCH. Probe with the end of the BLACK wire of the EFT Module each of the two wires connected to the ON/OFF Switch. Watch the small LED voltage indicator protruding from the EFT Module near the wires. A glowing RED LED indicates that the probing BLACK wire is touching the HOT wire "A" attached to the Wall Switch.
- 4) TURN POWER OFF AT THE CIRCUIT BREAKER.
- 5) Leave wire "A" connected and disconnect from the Switch the other wire "B", which DID NOT CAUSE the LED to glow.
- 6) Connect wire "B" to the BLUE wire of the EFT Module using the enclosed wire nut.
- 7) Connect the BLACK wire of the EFT Module to the Switch terminal from which the wire B was removed. 8) Push the EFT Module and wires inside the wiring box and return the switch and face plate to their original positions.
- 8) Turn the Power ON at the circuit breaker. Enjoy your new level of freedom provided by your silent EFT Timer Module.





- 1) Connect the WHITE wire of the Module EFT to the Ground (Bare) wire present inside the box.
- 2) Flip the Fan Switch into "OFF" position and at the circuit breaker turn the power ON again.
- 3) Be careful NOT TO TOUCH THE EXPOSED CONTACTS OF THE SWITCH. Probe with the end of the BLACK wire of the Module EFT each of the two wires connected to the ON/OFF Switch. Watch the small LED voltage indicator protruding from the Module EFT near the wires. Glowing LED indicates that the probing BLACK wire touches the HOT wire "A" attached to the Wall Switch.
- 4) TURN POWER OFF AT THE CIRCUIT BREAKER.
- 5) Leave wire "A" connected and disconnect from the Switch the other wire "B", which DID NOT CAUSE the LED to glow.
- 4) Connect wire "B" to the BLUE wire of the Module EFT using the enclosed wire nut.
- 5) Connect the BLACK wire of the Module EFT to the Switch terminal from which the wire B was removed.
- 6) Push the Module EFT and wires inside the wiring box and return the switch and face plate to their original positions.
- 7) Turn the Power ON at the circuit breaker. Enjoy your new level of freedom provided by your silent Timer Module EFT.

Diagram 3. **Installation of the Timer near the Exhaust Fan.**



Disconnect power by turning OFF the circuit breaker.

Disconnect Black wire "A" from the Fan. Connect this wire to the Black Wire of the Module EFT using the wire nut N1. Connect Blue Wire of the Module EFT to the Exhaust Fan terminal where the original Black wire used to be connected. Connect White Wire of the Module EFT to the White wire already connected to the Fan, so both white wires are connected to the Fan. Use either a terminal on the Fan or a wire nut (N2). Turn power ON at the Circuit Breaker. Enjoy the convenience of the new silent Timer Module EFT.

LIMITED ONE YEAR WARRANTY

If within one (1) year from the date of purchase, this product fails due to a defect in material or workmanship, V.L. Engineering, Inc. will repair or replace it, at its sole option, free of charge. This warranty is extended to the original household purchaser only and is not transferable. This warranty does not apply to: (a) damage to units caused by accident, abuse in handling, acts of God or any negligent use; (b) units, which have been subject to unauthorized repair, opened, taken apart or otherwise modified; (c) units not used in accordance with instructions; (d) damages exceeding the cost of the product; (e) sealed lamps and/or lamp bulbs, LED's and batteries; (f) transit damage, initial installation costs, or reinstallation costs.

V.L. ENGINEERING, INC. WILL NOT BE LIABLE FOR INCIDENTAL OR CONSEQUENTIAL DAMAGES. SOME STATES DO NOT ALLOW THE EXCLUSION OR LIMITATION OF INCIDENTAL OR CONSEQUENTIAL DAMAGES, SO THE ABOVE LIMITATION OR EXCLUSION MAY NOT APPLY TO YOU. THIS WARRANTY IS IN LIEU TO ALL OTHER EXPRESS OR IMPLIED WARRANTIES. ALL IMPLIED WARRANTIES, INCLUDING THE WARRANTY OF MERCHANTABILITY AND THE WARRANTY OF FITNESS FOR A PARTICULAR PURPOSE, ARE HEREBY MODIFIED TO EXIST ONLY AS CONTAINED IN THIS LIMITED WARRANTY, AND SHALL BE OF THE SAME DURATION AS THE WARRANTY PERIOD STATED ABOVE. SOME STATES DO NOT ALLOW LIMITATIONS ON THE DURATION OF AN IMPLIED WARRANTY, SO THE ABOVE LIMITATION MAY NOT APPLY TO YOU.

This warranty service is available by either (a) returning the product to the dealer from whom the unit was purchased, or (b) mailing the product, along with proof of purchase, postage prepaid to the authorized service center listed below. This warranty is made by V.L. Engineering, Inc. 11256 Cornell Park drive, #512 Cincinnati, OH 45242 / 513-489-6853. <http://www.vlengineering.com>